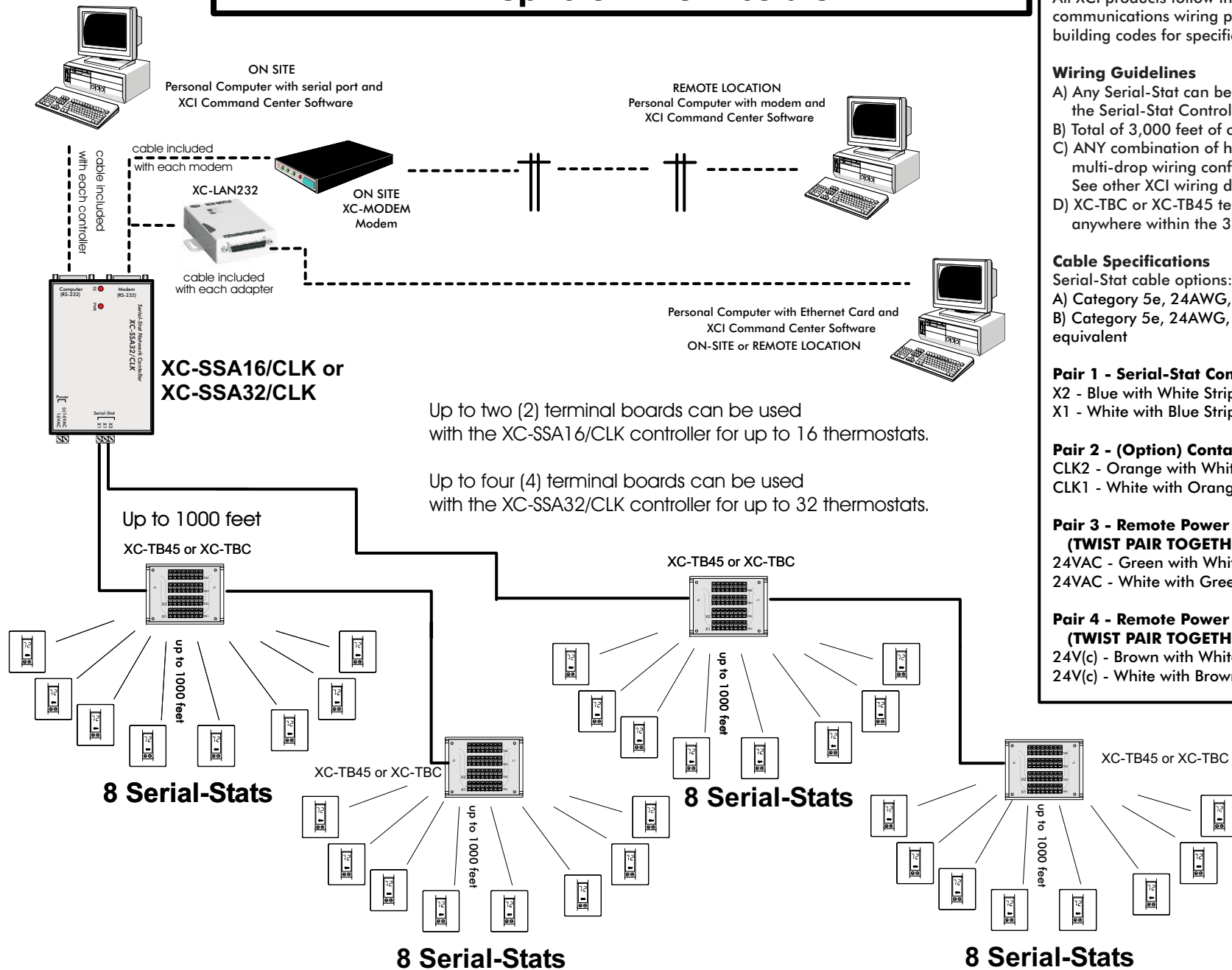




Network Wiring for Small Systems with up to 32 Thermostats



Cable and Wiring Notes

All XCI products follow industry standard data communications wiring practices. Refer to your local building codes for specific requirements

Wiring Guidelines

- A) Any Serial-Stat can be up to 1000 feet away from the Serial-Stat Controller
- B) Total of 3,000 feet of cable on any one controller
- C) ANY combination of home-run, daisy-chain, or multi-drop wiring configuration may be used. See other XCI wiring diagrams for details
- D) XC-TBC or XC-TB45 terminal boards may be placed anywhere within the 3,000 feet

Cable Specifications

Serial-Stat cable options:

- A) Category 5e, 24AWG, 4-pair, or equivalent
- B) Category 5e, 24AWG, 4-pair, plenum rated or equivalent

Pair 1 - Serial-Stat Communications Bus

- X2 - Blue with White Stripe
- X1 - White with Blue Stripe

Pair 2 - (Option) Contact Closure Setback

- CLK2 - Orange with White Stripe
- CLK1 - White with Orange Stripe

Pair 3 - Remote Power HOT (TWIST PAIR TOGETHER)

- 24VAC - Green with White Stripe
- 24VAC - White with Green Stripe

Pair 4 - Remote Power COMMON (TWIST PAIR TOGETHER)

- 24V(c) - Brown with White Stripe
- 24V(c) - White with Brown Stripe